

**–Save–**  
**Important Safety Instructions**

**Read Rules for Safe Operation and Instructions Carefully**

Working in vicinity of a lead-acid battery is dangerous. Batteries generate explosive gases during normal battery operation. For this reason, it is of utmost importance that each time before using your charger, you read this manual and follow the instructions exactly.

**WARNING:** Handling the cord on this product or cords associated with accessories sold with this product, will expose you to lead, a chemical known to the State of California to cause cancer and birth defects or other reproductive harm. **Wash hands after handling.**

**A. GENERAL BATTERY SAFETY**

1. Before you use your battery charger, be sure to read all instructions and cautions printed on:
  - Battery Charger
  - Battery
  - Vehicle or unit using battery
2. Use battery charger on LEAD ACID type rechargeable batteries only, such as used in autos, trucks, tractors, airplanes, vans, RV's, trolling motors, etc. Charger is not intended to supply power to low-voltage electrical system other than in an automotive application.
 

**WARNING:** Do not use battery charger for charging dry-cell batteries that are commonly used with home appliances. These batteries may burst and cause injury to persons and damage to property.
3. Use only attachments recommended or sold by manufacturer. Use of non-recommended attachments may result in fire, electric shock, or injury.
4. When disconnecting the battery charger, pull by the plug not by the cord. Pulling on the cord may cause damage to cord or plug.
5. Locate battery power cord so it cannot be stepped on, tripped over, or subjected to damage or stress.
6. Do not operate charger with damaged cord or plug. Have cord replaced immediately.
7. Do not operate charger if it has received a sharp blow, been dropped, or otherwise damaged in any way. Take it to a qualified professional for inspection and repair.
8. Do not disassemble charger. Take it to a qualified professional when service or repair is required. Incorrect reassembly may result in electric shock or fire.
9. To reduce risk of electric shock, unplug charger from outlet before attempting any maintenance or cleaning.
10. Do not use an extension cord unless absolutely necessary. Use of an improper extension cord could result in fire or electric shock. If an extension cord must be used, make sure that:
  - Pins on plug of extension cord are the same number, size, and shape as those of the plug on the charger.
  - Extension cord is properly wired and in good electrical condition.
  - Wire size is large enough for AC ampere rating of charger, as specified below:

<b>Length of cord (feet):</b>	<b>25</b>	<b>50</b>	<b>100</b>	<b>150</b>
<b>AWG size of cord:</b>	<b>16</b>	<b>12</b>	<b>10</b>	<b>8</b>

(American Wire Gauge)
11. Always charge battery in a well ventilated area. **NEVER** operate in a closed-in or restricted area without adequate ventilation because of risk of explosive gases. **WARNING:** Risk of explosive gas.
12. Locate charger as far away from battery as DC charger cables permit.
13. Do not expose charger to rain or snow.
14. **NEVER** charge a frozen battery. If battery fluid (electrolyte) is frozen, bring into a warm area to thaw before charging.
15. **NEVER** allow battery acid to drip on charger when reading specific gravity or filling battery.
16. **NEVER** set a battery on top of charger.
17. **NEVER** place charger directly above battery being charged. Gases from battery will corrode and damage charger.
18. **NEVER** touch the battery clips together when the charger is energized.

**SCHUMACHER ELECTRIC CORPORATION**

801 BUSINESS CENTER DRIVE • MOUNT PROSPECT, ILLINOIS 60056-2179

Send Warranty Product Repairs to: 1025 E. Thompson, Hoopston, IL 60942-0280

Call Customer Service if you have questions: 1-800-621-5485

## B. PERSONAL PRECAUTIONS AND SAFETY

1. **WARNING:** Wear complete eye protection and clothing protection, when working with lead-acid batteries.
2. Make sure someone is within range of your voice or close enough to come to your aid when you work with or near a lead-acid battery.
3. Have plenty of fresh water and soap nearby for use if battery acid contacts skin, clothing, or eyes. If battery acid contacts skin or clothing, wash immediately with soap and water.
4. Avoid touching your eyes while working with a battery. Acid particles (corrosion) may get into your eyes! If acid enters your eye, immediately flood eye with running cold water for at least 10 minutes. Get medical attention immediately.
5. Remove all personal metal items such as rings, bracelets, necklaces, and watches when working with a lead-acid battery. A lead-acid battery can produce a short-circuit current high enough to weld a ring (or the like) to metal, causing a severe burn.
6. Take care not to drop a metal tool or other metal onto the battery. Metal may cause sparking or short circuit the battery or another electrical device. Sparking may cause an explosion.
7. Always operate battery charger in an open well ventilated area.
8. **NEVER** smoke or allow a spark or flame in the vicinity of the battery or engine. Batteries generate explosive gases!

## C. GROUND AND AC POWER CORD CONNECTIONS

Charger should be grounded to reduce the risk of electric shock.

Charger is equipped with an electric cord having an equipment grounding conductor and a grounding plug. The plug must be plugged into an outlet that is properly installed and grounded in accordance with all local codes and ordinances. This battery charger is designed for use on a nominal 120 volt circuit and has a grounded plug that looks like the plug illustrated in FIGURE 1 (A). This plug should be used in a grounded outlet. The plug pins must fit the receptacle (outlet).

**ADAPTER:** A temporary adapter, as shown in FIGURE 1 (B) and (C), may be used to connect the charger plug to a two pole receptacle (outlet), as shown in FIGURE 1 (B).

**NOTE:** The temporary adapter should be used only until a properly grounded outlet can be installed by a qualified electrician.

**DANGER:** Never alter the AC cord or plug provided. If it will not fit outlet, have a proper outlet installed by a qualified electrician. Improper connection can result in a risk of an electrical shock. **DANGER:** Before using an adapter, as illustrated, be certain that the center screw of the outlet plate is grounded. The green-colored rigid ear or lug extending from the adapter must be connected to a properly grounded outlet. Make certain it is grounded. If necessary, replace original outlet cover plate screw with a longer screw that will secure adapter ear or lug to outlet cover plate and make ground connection to grounded outlet.

**"Use of adapter plug not allowed in Canada"**

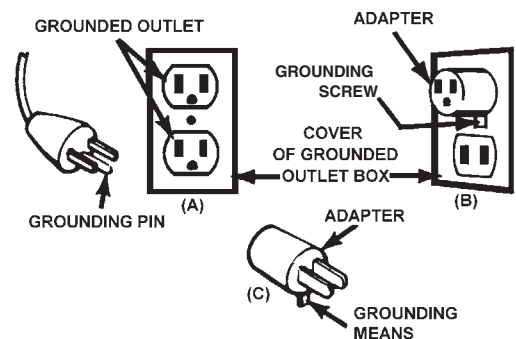


FIGURE 1 GROUNDING METHODS

## D. PREPARING TO CHARGE

1. Make sure you have a 12 volt or a 6 volt lead-acid battery and select battery charger switch accordingly.
2. Clean battery terminals. Take care to keep corrosion from coming in contact with your eyes.
3. If required, add distilled water in each cell until battery acid reaches levels specified by battery manufacturer. This helps purge excessive gas from cells. Do not overfill. For a battery without cell caps, carefully follow manufacturer's recharging instructions.
4. Study all battery manufacturer's specific precautions, such as removing or not removing cell caps while charging, and recommended rates of charge.
5. Be sure area around battery is well ventilated while battery is being charged. Gas can be forcefully blown away by using a piece of cardboard or other non-metallic material as a fan.
6. If necessary to remove battery from vehicle to charge, always remove grounded terminal from battery first. Make sure all accessories in the vehicle are off, so as not to cause an arc.
7. A marine (boat) battery must be removed and charged on shore. To charge it on board requires equipment specially designed for marine use.

## E. CHARGER LOCATION PRECAUTIONS

**Never** place charger directly above the battery being charged, gases from battery could damage the charger.

**Never** allow battery acid to drip on the charger when reading specific gravity of filling battery.

**Never** operate charger in a closed in area, or restrict ventilation in any way.

Do not set battery on top of the charger.

## F. OPERATING INSTRUCTIONS: CHARGING BATTERY IN VEHICLE

When charging battery in the vehicle, take care to determine the battery type and which post is grounded. To reduce risk of a spark near battery, follow these steps when battery is installed in vehicle. **WARNING: A spark near battery may cause battery explosion.**

1. Position AC power cord and DC charging cords to reduce risk of damage by hood, door, or moving engine parts.
2. Stay clear of fan blades, belts, pulleys, and other parts that can cause injury.
3. Check polarity of battery posts. Battery case will be marked by each post: **POSITIVE (POS, P, +) and NEGATIVE (NEG, N, -)**. **NOTE:** The positive battery post usually has a larger diameter than the negative post.
4. Determine which post of battery is ground (connected) to chassis.  
**NOTE:** The negative post is normally grounded.

### NEGATIVE GROUNDED POST

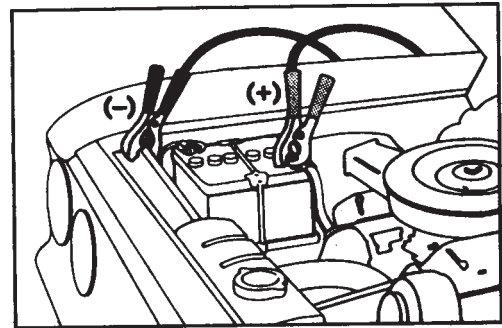
5A. For negative-grounded vehicle, connect POSITIVE (RED) clip from battery charger to POSITIVE (POS, P, +) ungrounded post of battery. Connect NEGATIVE (BLACK) clip to vehicle chassis or engine block away from battery. Connect to a heavy gauge metal part of the frame or engine block.

### POSITIVE GROUNDED POST

5B. For positive-grounded vehicle, connect NEGATIVE (BLACK) clip from battery charger to NEGATIVE (NEG, N, -) ungrounded post of battery. Connect POSITIVE (RED) clip to vehicle chassis or engine block away from battery. Connect to a heavy gauge unpainted metal part of the frame or engine block.

**WARNING:** Do not connect clip to carburetor, fuel lines, or sheet-metal body parts. **NOTE:** Attach clips to battery post and twist or rock back and forth several times to make a good connection. This tends to keep clips from slipping off terminals and helps to reduce risk of sparking.

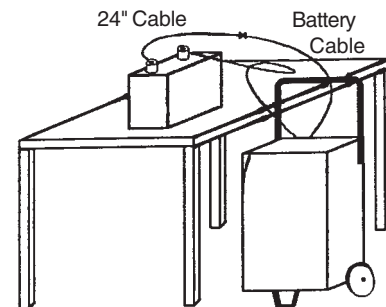
6. Select amperage.
7. Follow steps 1-4 in Battery Charger Section K.
8. When the battery is fully charged, unplug the charger from the AC power source.
9. Remove charger clips from (1) chassis and (2) battery pole in that order.
10. Clean and store battery charger.



## G. OPERATING INSTRUCTIONS: CHARGING BATTERY OUT OF VEHICLE

When charging battery out of vehicle, take care to determine the battery type. To reduce risk of a spark near battery, follow these steps when battery is outside vehicle. **WARNING:** A spark near the battery may cause battery explosion. **WARNING:** When removing battery from vehicle or boat, disconnect grounded pole first. When disconnecting, make sure all accessories are off, so as not to cause an arc. (**NOTE:** A marine (boat) battery must be removed and charged on shore. (To charge on board requires special equipment designed for marine use.) **WARNING:** When reinstalling battery, attach the ground post first.

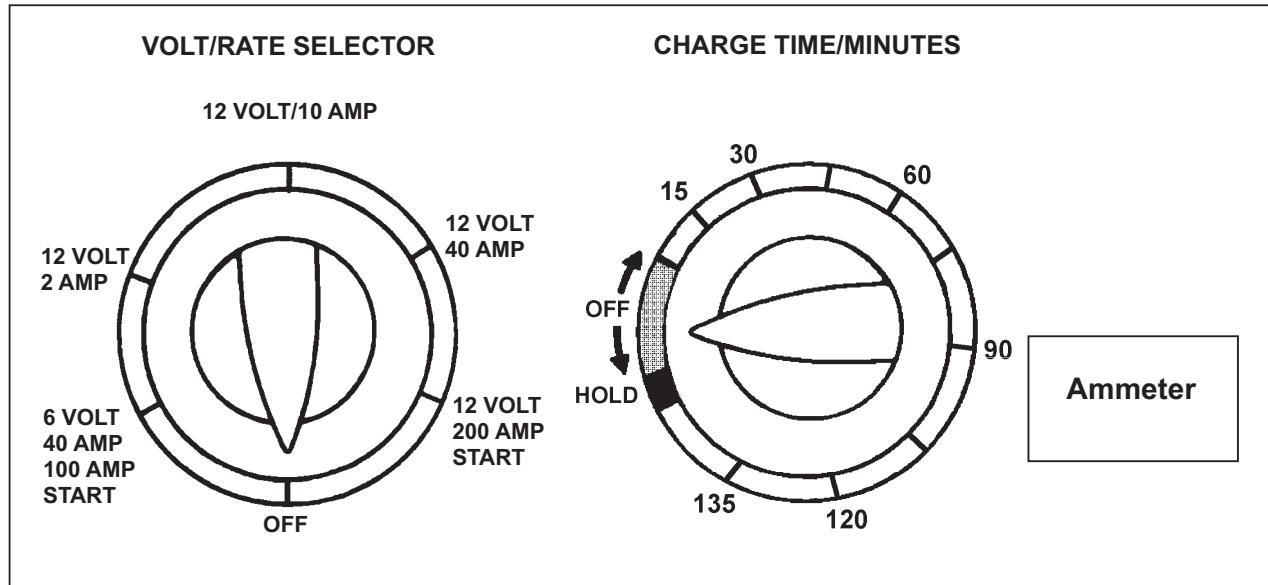
1. Check polarity of battery posts. Battery case will be marked by each post: POSITIVE (POS, P, +) and NEGATIVE (NEG, N, -). **NOTE:** The positive battery post usually has a larger diameter than the negative post.
2. Attach a 24-inch long (or longer) 6-gauge (AWG) insulated battery cable to NEGATIVE (NEG, N, -) battery post. (The 24" lead is not supplied. You may purchase at most automotive stores.)  
The 24" lead provides a safer connection condition. Sparking or arcing could occur when connecting the charger clip to the lead.
3. Connect POSITIVE (RED) charger clip to POSITIVE (POS, P, +) post of battery. Rock clip back and forth to make good connection.
4. Position yourself and free end of 24 inch cable as far away from battery as possible. Then connect NEGATIVE (BLACK) charger clip to free end of cable.  
**WARNING:** Do not face battery when making final connection. Rock clip back and forth to make a good connection.
5. Select amperage:
6. Follow steps 1-4 in Battery Charger Section.
7. When battery is fully charged, unplug charger from AC outlet.



8. When battery is fully charged and the charger is unplugged:  
(1) Remove clip from end of the Negative end of cable, then  
(2) Remove clip from Positive battery post, in that order.
9. Clean and store battery charger.  
**WARNING:** Be sure area around the battery is well ventilated while battery is being charged. Gas can be forcefully blown away by using a piece of cardboard or other non-metallic material as a fan.

## H.

## OUTPUT SELECTOR CONTROLS



**TIMER:** The main function of the timer is to prevent over charging while allowing a battery time to obtain a satisfactory charge. To properly set the timer you must know the size of the battery in ampere hours or reserve capacity in minutes and the state of charge. Often the state of charge is not known, this is one reason why the timer was limited to 2.25 hours. With the aid of a battery load tester the state of charge can be obtained within a few seconds. For example, the average size automotive battery at a 50% state of charge will require 1 to 1.5 hours of charging at the 40 amp rate to reach the full charge state. For the same battery with the timer set to it's maximum, 2.25 hours, over charging will occur, but not likely cause harm to a battery that was other wise in good condition. When the charge state is not known, start out with a timer setting of 1 hour or less.

**HOLD** This position defeats the timer function, allowing for continuous operation. Use when you want to charge more than 2.25 hours. This is normally the case when the 2 amp charge rate is selected. Be sure to monitor the charging and stop the charge when the battery is charged.

**ROTARY SWITCH** - Use the rotary switch to select the charge rate or engine start setting you require. Read the switch dial for selections.

**AMMETER:** The Ammeter indicates the amount of current measured in amperes that is being drawn by the battery. For example, In the 40 amp charge rate a typical discharged battery will initially draw approximately 40 amps. As the battery continues to charge, current will taper to 15 to 20 amps at full charge. The Start area of the meter indicates a high rate of current being drawn from the charger. When cranking an engine, the starter motor draws upwards to 200 amps. The meter needle will be at the extreme right side of the start area. Sometimes a battery for the first few minutes of it's charge will draw more than 40/60 amps, in this case the needle may be within but not to the extreme right side of the start area. The 2 amp charge rate (on some models) may indicate some activity on the meter. The meter doesn't have the resolution to display this low rate.

## I. ENGINE START

1. Set charge rate switch and timer to OFF positions.
  2. With the charger unplugged from the AC outlet, connect the charger to the battery following instructions given in section F.
  3. Plug the charger AC power cord into the AC outlet, then move timer from OFF to HOLD position.
  4. Set the charge rate switch to the engine start position that matches the vehicle battery and then crank the engine. Follow the duty cycle printed on the front panel of your charger for proper ON / OFF times. During extremely cold weather or when the battery is severely exhausted, charge the battery for about 5 minutes before cranking the engine.
  5. If the engine fails to start, charge the battery for 5 more minutes before attempting to crank the engine again.
  6. After the engine starts, move the charge rate switch to OFF and unplug the AC power cord from the outlet before disconnecting DC clamps.
- Do not try to engine start a vehicle without a battery in it. You may damage the vehicle's system. If the engine spins, but doesn't start after several starting attempts, there is a problem with the engine of the vehicle other than its starting system. STOP cranking the engine until the other problem has been found and corrected.

## J. CHARGE PERIOD

Determine the charge level of your battery with a hydrometer or electronic percent of charge tester. Determine the ampere hour rating of your battery. It may be on the battery information label. If the battery is rated in Reserve Capacity, convert to ampere hour rating using the following formula:

**Ampere Hour rating =  $\frac{(\text{Reserve Capacity}) + 16}{(2)}$**       **Example: AH rating =  $\frac{(168 \text{ Reserve Capacity}) + 16}{(2)}$**       or AH = 100

"Reserve capacity is in minutes"

Use the following formula to determine the time of charge required: **(AH x % of charge needed) divided by amp setting of the charger, times 1.25 = hours of charge:**      Example: **State of charge of the battery is 50%**  
**Percent of charge needed is 100% - 50% = 50% (.50 decimal)**  
**Ampere rating of the battery is 100AH**  
**Charger setting is 10 amps**

$$\frac{100 \times .50}{10} = x \quad \frac{1.25}{7.25} = 6.25 \text{ hours of charge needed} \\ \text{hour more if charging a deep cycle battery} \\ \text{hours total for a deep cycle battery.}$$

A hydrometer reading of the specific gravity of the electrolyte (fluid) of the battery in good condition should be between 1.25 and 1.28. When a battery reaches 80-85% of full charge, bubbles will appear on the surface of the fluid. As the battery nears full charge, bubbling will become more vigorous.

## K. BATTERY CHARGING

**CHARGER MUST BE ASSEMBLED BEFORE USING**

1. Before charging any battery, make sure the electrolyte (battery liquid) in each cell is at correct level.
  2. Set all switches and timers to the OFF position.
  3. If the battery is being charged inside the vehicle, use connection procedures outlined in Section F. Should the battery be removed from the vehicle, follow the instruction in Section D, step 6 and Section G. Plug the power cord into the AC outlet.
  4. Set the charge rate switch to the desired charge position. See Charge Rate Charts.
  5. Set the timer from OFF position to desired timed charge, 30-135 minutes.
- NOTE:** This battery charger is not automatic and can overcharge a battery if permitted to operate for extended periods of time. Monitor the charging often.
- Also, your charger may exhibit a noise (buzzing) during charging. Laminations of the transformer tend to vibrate. This is normal...continue to charge the battery. The noise may continue after charger is disconnected from battery.**

BATTERY SIZE/RATING			CHARGE RATE*/CHARGING TIME - HOURS**		
			2 AMP	10 AMP	50 AMP
SMALL BATTERIES	Motorcycle, Garden Tractor, etc.	6 - 12 AH	1.5 to 3	NR	NR
		12 - 32 AH	3 to 8		
CAR/TRUCKS	200 - 315 CCA	40 - 60 RC	11 to 15	2.5 to 3	NR
	315 - 550 CCA	60 - 85 RC	15 to 18	3 to 4	.5 to .75
	550 - 875 CCA	85 - 125 RC	18 to 25	4 to 5	.75 to 1
MARINE/ DEEP CYCLE		55 MC	15	4	NR
		80 MC	19	5	NR
		105 MC	23	6	NR

\*Charge Rates for this model are listed on the front panel.  
 \*\*Based on battery at 50% charge.

- AH    Ampere Hours
- NR    Not Recommended
- CCA   Cold Cranking Amps
- RC    Reserve Capacity
- MC    Marine Capacity



# L.

# ASSEMBLY INSTRUCTIONS

## Wheel Charger Assembly Instructions: (Instrucciones De Armado)

**NOTE:** Charger must be assembled before operating (Ante de la operación la unidad debe estar armada)

### Parts (Piezas)

(2) 10-32 screws	(tornillos de corte rosca 10-32)	5/16" wrench	(Llave de 5/16")
(2) 1/4-20 screws	(tornillo de corte rosca 1/4-20)	3/8" wrench	(Llave de 3/8")
(2) wheels (ruedas)		Hammer	(Martillo)
(2) axle caps	(tapas del eje)	Screwdriver	(Destornillador)
(1) handle (mango)			
(1) mounting foot	(pedestal de montaje)		
(1) axle	(del eje)		

### Tools necessary (Herramientas Necesarias)

1. First place the charger on its side.
2. Next mount the mounting foot FIG. A with (2) 1/4-20 screws.
3. Next pound the axle firmly into an axle cap using a hammer FIG. B.
4. Slide one wheel onto the axle with hub facing in, as shown in FIG. C.
5. Poke above assembly thru holes in charger back until axle sticks out of the other end.
6. Turn charger on its other side.
7. Slide wheel and pound cap onto the axle end.
8. Next turn the charger right side up onto its foot and wheels.
9. Remove the (2) top screws from each side of the charger, line up the handle and reinstall the screws FIG. E.

Primero coloque el cargador de lado.

A continuación monte el pedestal FIG. A con (2) tornillos 1/4-20.

A continuación golpee firmemente el eje dentro de la tapa del eje usando un martillo, FIG. B.

A continuación deslice las ruedas dentro del eje; los cubos deben estar orientados hacia adentro, FIG. C.

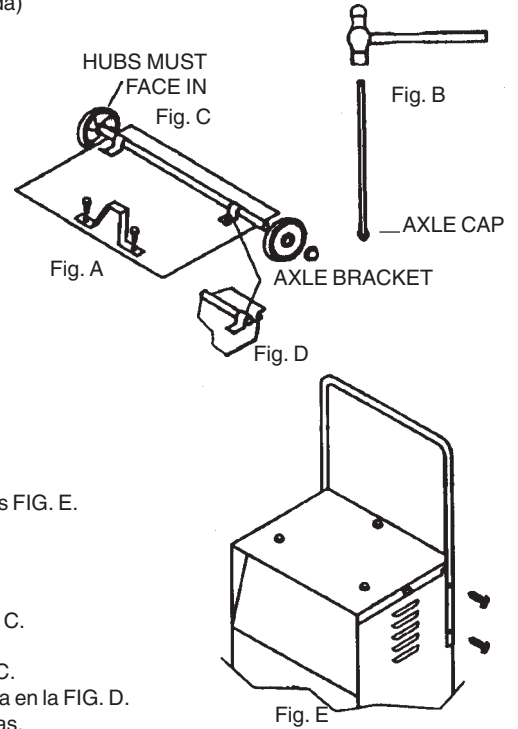
A continuación golpee la otra tapa del eje dentro del otro extreme del eje.

A continuación coloque el conjunto del eje dentro del fondo del cargador según se muestra en la FIG. C.

Monte el eje en el fondo del cargador usando los dos tornillo de corte de rosca 10-32 según se muestra en la FIG. D.

A continuación gire el cargador de la batería con el lado derecho hacia arriba sobre su pedestal y ruedas.

Saque los dos tornillos superiores de cada lado del cargador; alinee el mango y reinstale los tornillo. FIG. E.



## TROUBLESHOOTING

If a problem does occur, check the following:

PROBLEM	POSSIBLE CAUSE	SOLUTION
No Meter Reading (AC Cord Unplugged)	Clips are not making a good connection. Battery voltage is too low. 2 amp charge rate being used.	Rock clips back and forth for a better connection. Plug AC line into outlet. Meter should now indicate. None, meter will not indicate here.
Charger will not turn on when properly connected.	AC outlet is dead. Poor electrical connection.	Plug in a lamp to check for voltage. Check connections, rock back and forth for a better connection.
Clicking noise from charger.	Circuit breaker is cycling. Battery is defective. Severely discharged battery but otherwise a good battery. Reverse connections at battery.	May be in the wrong switch position Have Battery checked. Allow charging to continue until battery has a chance to recover sufficiently to take a charge. If more than 20 min. stop charging and have the battery checked. Shut off charger and correct lead connections.

## LOCALIZACION DE AVERIAS

Si ocurre algún problema, verificar lo siguiente:

PROBLEMA	CAUSA POSIBLE	SOLUCION
El medidor no indica (cordón CA desenchufado)	La pinzas no están haciendo buen contacto. Voltaje de la batería demasiado bajo.	Mover las pinzas hacia uno y otro lado para lograr mejor contacto. Enchufar el cordón CA al tomacorriente; ahora el medidor debe indicar.
El cargador no se enciende cuando está bien conectado.	El tomacorriente CA no tiene electricidad. Mala conexión eléctrica.	Enchufar una lámpara para verificar si hay voltaje. Revisar las conexiones, mover hacia uno y otro lado para lograr mejor contacto.
El cargador hace ruido ("clic")	El disyuntor de circuito está funcionando. La batería está defectuosa. Batería demasiado descargada, pero buena. Invertir las conexiones en la batería.	Puede estar en la posición errónea del interruptor. Hacer revisar la batería. Dejar cargando hasta que la batería tenga oportunidad de recuperarse lo suficiente para tomar carga. Si se demora más de 20 minutos, parar de cargar y hacer revisar la batería. Apagar el cargador y corregir las conexiones de los conductores.

### LIMITED WARRANTY

**SCHUMACHER ELECTRIC CORPORATION, 801 BUSINESS CENTER DRIVE, MOUNT PROSPECT, ILLINOIS, 60056-2179 MAKES THIS LIMITED WARRANTY TO THE ORIGINAL PURCHASER AT RETAIL OF THIS PRODUCT. THIS LIMITED WARRANTY IS NOT TRANSFERABLE.**

Schumacher Electric Corporation warrants this battery charger for 3 years, and the transformer and rectifiers for 5 years from date of purchase at retail against defective material or workmanship. If such should occur, the unit will be repaired or replaced at the option of the manufacturer. It is the obligation of the purchaser to forward the unit together with proof of purchase, transportation and / or mailing charges prepaid to the manufacturer or its authorized representative. This limited warranty is void if the product is misused, subjected to careless handling, or repaired by anyone other than the factory or other authorized factory representative. The manufacturer makes no warranty other than this limited warranty and expressly excludes any implied warranty including any warranty for consequential damages.

This is the only express limited warranty and the manufacturer neither assumes nor authorizes anyone to assume or make any other obligation towards the product other than this express limited warranty. The manufacturer makes no warranty of merchantability or fitness for purpose of this product and expressly excludes such from this limited warranty. Some states do not allow the exclusion or limitation of incidental or consequential damages or length of implied warranty so the above limitations or exclusions may not apply to you. "This warranty gives you specific legal rights, and you may have other rights which vary from state to state."

## A. SEGURIDAD GENERAL DE ACUMULADORES

1. Antes de usar su cargador de acumuladores, lea todas las instrucciones y precauciones impresas en:
  - el cargador de acumuladores
  - el acumulador
  - el vehículo o la unidad usando el acumulador.
2. Use el cargador de acumuladores únicamente con acumuladores recargables de ACIDO DE PLOMO, tales como los de automóviles, camiones, tractores, aviones, camionetas, vehículos recreativos, motores de embarcaciones de pesca con anzuelos remolcados, etc. El cargador no está diseñado para alimentar corriente a sistemas eléctricos de baja tensión que no sean de usos automotrices.  
**ADVERTENCIA:** No use el cargador de acumuladores para cargar pilas secas comúnmente usadas en aparatos hogareños. Estas pilas pueden reventar y causar lesiones a personas y daños a propiedades.
3. Únicamente use accesorios recomendados o vendidos por el fabricante. El uso de accesorios no recomendados puede causar incendios, choques eléctricos o lesiones.
4. Al desconectar el cargador de acumuladores, jale la clavija y no el cordón eléctrico. Si jala del cordón, puede dañar el cordón o la clavija.
5. Coloque el cordón eléctrico de manera que no sea pisado, ni cause un tropiezo, ni esté expuesto a daños o estiramientos.
6. No opere el cargador con cordón o clavija dañados. Mandé cambiar el cordón inmediatamente.
7. No opere el cargador si está golpeado, si se ha caído o está dañado. Llévelo con un técnico capacitado para que sea inspeccionado y reparado.
8. No desarme el cargador. Llévelo con un técnico capacitado cuando necesite servicio o reparaciones. Su rearmado incorrecto puede causar choques eléctricos o incendios.
9. Para reducir el riesgo de choques eléctricos, desenchufe el cargador de la toma de corriente antes de intentar llevar a cabo cualquier mantenimiento o limpieza.
10. No use una extensión eléctrica si no es absolutamente necesario. El uso de una extensión eléctrica inadecuada puede causar incendios o choques eléctricos.

Largo del cordón:	7.62m (25')	15.24m (50')	30.84m (100')	45.72m (150')
Calibre AWG*:	16	12	10	8

\*American Wire Gage (calibre de alambres «American»)

11. Siempre cargue un acumulador en un sitio bien ventilado.  
**NUNCA** opere el cargador en un sitio cerrado o confinado sin ventilación adecuada.  
**ADVERTENCIA:** Hay riesgo de gases explosivos.
12. Sitúe el cargador tan alejado del acumulador como permitan los cables.
13. No exponga al cargador a la lluvia o la nieve.
14. **NUNCA** cargue un acumulador congelado. Si el líquido electrolítico del acumulador está congelado, colóquelo en un sitio tibio para descongelarlo antes de cargarlo.
15. **NUNCA** permita que gotee el ácido en el cargador al tomar lecturas de la gravedad específica o al llenar el acumulador.
16. **NUNCA** ponga el acumulador encima del cargador.
17. **NUNCA** coloque el cargador directamente arriba del acumulador que se vaya a cargar. Los *gases del acumulador* causarán corrosiones y dañarán el cargador.
18. **NUNCA** junte las pinzas de los cables (una con otra) cuando esté energizado el cargador.

## B. PRECAUCIONES PERSONALES Y DE SEGURIDAD

1. **ADVERTENCIA:** Use protección ocular y ropa protectora al trabajar con acumuladores de ácido de plomo.
2. Asegúrese que alguien esté suficientemente cerca para oír su voz y poderlo asistir en caso de una emergencia cuando trabaje con o cerca de un acumulador de ácido de plomo.
3. Tenga cerca suficiente agua limpia y jabón para uso en caso que entre en contacto el ácido con su piel, ropa u ojos. En caso de contacto con su piel o ropa, lávela inmediatamente con agua y jabón.
4. Evite tocarse los ojos al trabajar con un acumulador. ¡Puede introducir partículas ácidas (corrosión) en sus ojos! Si entra ácido en contacto con sus ojos, inmediatamente enjuáguelos con agua fría abundante durante un mínimo de 10 minutos. Solicite atención médica de inmediato.
5. Quítese todos los artículos metálicos, tales como anillos, brazaletes, collares y relojes, al trabajar con un acumulador de ácido de plomo. Un

acumulador de ácido de plomo puede producir un cortocircuito suficientemente fuerte para soldar un anillo (u otro objeto) a otro metal, causando así una quemada severa.

6. Tenga cuidado de no dejar caer una herramienta u otro objeto metálico adentro del acumulador. El metal puede causar chisporroteo o un cortocircuito del acumulador u otro dispositivo eléctrico. El chisporroteo puede causar una explosión.
7. Siempre opere el cargador de acumuladores en un área abierta y bien ventilada.
8. **NUNCA** fume, ni permita que hayan chispas o llamas cerca de un acumulador o de un motor. ¡Los acumuladores generan gases explosivos!
9. **ADVERTENCIA** - El manejo del cordón en este producto, o de los cordones asociados con los accesorios vendidos con este producto, le expone a usted al plomo, un producto químico conocido en el Estado de California de causar cáncer y defectos de nacimiento u otros daños reproductivos. **Lávese las manos después de manejar estos cordones.**

## C. INSTRUCCIONES DE PUESTA A TIERRA Y CONEXION DEL CORDON ELECTRICO DE CORRIENTE ALTERNA

El cargador tiene que tener conexión a tierra para reducir el riesgo de choques eléctricos. El cargador está equipado con un cordón que tiene conductor del equipo a tierra por medio de una toma de corriente con conexión a tierra. La clavija se tiene que enchufar en una salida apropiadamente instalada de acuerdo a los códigos y las disposiciones locales.

**PELIGRO:** NUNCA modifique el cordón eléctrico de corriente alterna suministrado – si no entra en la toma de corriente, mande instalar una salida apropiada por un electricista capacitado. Una conexión incorrecta puede tener riesgos de choques eléctricos.

Este cargador de acumuladores es para uso en circuitos de 120 voltios nominales y tiene una clavija con conexión a tierra parecida a la de la ilustración A. Un adaptador provisional, como el de la ilustración B, se puede usar para conectar esta clavija en un receptáculo de dos orificios, como se indica en la ilustración B, si no hay una salida con conexión a tierra. El adaptador provisional se debe usar únicamente hasta que un electricista capacitado instale una toma apropiada con conexión a tierra.

**PELIGRO:** Antes de usar un adaptador como el que se ilustra, asegúrese que el tornillo de la placa esté haciendo tierra. La lengüeta del adaptador tiene que quedar conectada a una toma de corriente conectada a tierra – verifique que tenga conexión a tierra. Si es necesario, cambie el tornillo de la placa por uno más largo que fije la lengüeta a la placa y haga buena conexión a tierra.

## D. PREPARACION PARA CARGAR

1. Verifique que tiene un acumulador de 6 or 12 voltios de ácido de plomo. Reconfirme con el manual del vehículo.
2. Limpie los terminales del acumulador. Tenga cuidado de evitar que la corrosión entre en contacto con sus ojos.
3. Si es necesario, agregue agua destilada a cada par hasta que el nivel del ácido llegue al nivel especificado por el fabricante. Esto ayuda a purgar el exceso de gases de los pares. No llene demasiado. Para un acumulador sin tapones de pares, siga cuidadosamente las instrucciones del fabricante para la carga.
4. Estudie todas las precauciones específicas del fabricante, tal como el quitar o no quitar los tapones de los pares durante la carga y la corriente de carga.
5. Asegúrese que el espacio alrededor del acumulador esté bien ventilado durante la carga. Puede sacar el gas del área soprándolo con una hoja de cartón u otro material no metálico usado como abanico.
6. Si es necesario, saque el acumulador del vehículo para cargarlo. Siempre desconecte el terminal de tierra primero. Asegúrese que todos los accesorios del vehículo estén apagados para evitar un arco.
7. Un acumulador marino (de embarcación) tiene que ser desmontado y cargado en tierra. Para cargarlo a bordo, se tiene que hacer con equipo especialmente diseñado para uso marino.
8. Seleccione la carga apropiada para el acumulador.

## E. INSTRUCCIONES DE FUNCIONAMIENTO: CARGA DE UN ACUMULADOR EN UN VEHICULO

Al cargar un acumulador en un vehículo, determine cuidadosamente el tipo del acumulador y cuál es el terminal de tierra. Para reducir el riesgo de chispas cerca del acumulador, siga estos pasos cuando el acumulador está instalado en el vehículo. **ADVERTENCIA: Una chispa cerca del acumulador puede causar la explosión del acumulador.**

1. Coloque el cordón de corriente alterna y los cables de carga de corriente continua de manera que se reduzcan los riesgos de dañar el cofre, las puertas o piezas móviles del motor.
2. Manténgase alejado del ventilador, las bandas, las poleas y otras partes que puedan causar lesiones.
3. Verifique la polaridad de los terminales del acumulador. La caja estará marcada junto a cada terminal: **POSITIVO (POS, P, +) y NEGATIVO (NEG, N, -)**. **NOTA:** El terminal positivo del acumulador normalmente es de mayor diámetro que el negativo.
4. Determine cuál terminal es el de tierra (conectado al chasis). **NOTA:** El terminal negativo normalmente está puesto a tierra.

### TERMINAL NEGATIVO A TIERRA

- 5A. Para vehículos con tierra negativa, conecte la pinza POSITIVA (ROJA) desde el cargador de acumuladores al terminal POSITIVO (POS, P, +) que no está conectado a tierra. Conecte la pinza NEGATIVA (NEGRA) al chasis del vehículo o al monobloc, alejado del acumulador. Conéctelo a una parte de metal grueso del chasis o al monobloc.

### TERMINAL POSITIVO A TIERRA

- 5B. Para vehículos con tierra positiva, conecte la pinza NEGATIVA (NEGRA) del cargador de acumuladores al terminal NEGATIVO (NEG, N, -) que no está conectado a tierra. Conecte la pinza POSITIVA (ROJA) al chasis del vehículo o al monobloc, alejado del acumulador. Conéctelo a una parte de metal grueso del chasis o al monobloc.

**ADVERTENCIA:** No conecte la pinza al carburador, a una línea de combustible o a una lámina de la carrocería. **NOTA:** Ponga la pinza en el terminal del acumulador girándolo de ida y vuelta varias veces para hacer un buen contacto. Esto ayuda a mantener la pinza para que no se resbale del terminal y reduce el riesgo de chispas.

6. Haga todos los ajustes deseados antes de aplicarle corriente alterna al cargador.
7. Observe el medidor para ver las respuestas. Si algo no parece estar bien, vea la sección de detección de desperfectos de este manual.
8. Cuando el acumulador está completamente cargado, desenchufe el cargador de la toma de corriente alterna.
9. Quite las pinzas en el siguiente orden: (1) del chasis y (2) del terminal del acumulador.

## F. INSTRUCCIONES DE FUNCIONAMIENTO: CARGA DEL ACUMULADOR DESMONTADO DEL VEHICULO

Al cargar el acumulador desmontado del vehículo, tenga cuidado de determinar el tipo del acumulador. Para reducir el riesgo de una chispa cerca del acumulador, siga estos pasos cuando esté fuera del vehículo.

**ADVERTENCIA:** Una chispa cerca del acumulador puede causar una explosión del acumulador. **ADVERTENCIA:** Al quitar un acumulador de un vehículo o de una embarcación, desconecte el terminal de tierra primero. Antes de desconectarlo, cerciórese que estén apagados todos los accesorios para evitar arcos. **NOTA:** Un acumulador marino (de embarcación) se tiene que desmontar para cargarlo en tierra (para poder cargarlo a bordo, se tiene que hacer con equipo especial diseñado para uso marino). **ADVERTENCIA:** Al reinstalar un acumulador, conecte el conductor de tierra primero.

1. Verifique la polaridad de los terminales del acumulador. La caja estará marcada junto a cada terminal: **POSITIVO (POS, P, +) y NEGATIVO (NEG, N, -)**. **NOTA:** El terminal positivo del acumulador normalmente es de mayor diámetro que el negativo.
2. Conecte un cable aislado de acumulador de 61cm (24") o más, calibre 6 (AWG) al terminal NEGATIVO (NEG, N, -).
3. Conecte la pinza POSITIVA (ROJA) del cargador al terminal POSITIVO (POS, P, +) del acumulador. Gire la pinza de ida y vuelta para hacer un buen contacto.
4. Colóquese a sí mismo y al extremo del cable aislado de 61cm tan lejos como pueda del acumulador. Luego, conecte la pinza NEGATIVA

(NEGRA) del cargador al extremo libre del cable. **ADVERTENCIA:** No se quede de frente hacia el acumulador al hacer la conexión final. Gire la pinza de ida y vuelta para hacer un buen contacto.

5. Haga todos los ajustes antes de aplicar la corriente alterna al cargador.
6. Observe los medidores para ver las respuestas. Si algo no parece estar bien, vea la sección de detección de desperfectos de este manual.
7. Cuando está completamente cargado el acumulador, desenchufe el cargador de la toma de corriente alterna.  
(1) Quite la pinza del extremo del cable negativo y luego,  
(2) Quite la pinza del terminal positivo, en ése orden.
8. Limpie y guarde el cargador de acumuladores.

**ADVERTENCIA:** Verifique que el área alrededor del acumulador esté bien ventilada durante la carga. Puede sacar el gas del área sopándolo con una hoja de cartón u otro material no metálico usado como abanico.

## G. TIEMPO DE CARGA

El tiempo aproximado de carga necesario para cargar completamente un acumulador depende del número de amperios-horas drenadas del acumulador. Los amperios-horas se determinan multiplicando el número de horas por el número de amperios suministrados al acumulador durante una carga. Por ejemplo, si se conectó una carga a un acumulador que absorbió 10 amperios durante cinco horas, se le habrán alimentado 50 horas-amperios. El tiempo aproximado de recarga necesario para reponer los 50 horas-amperios al acumulador se calcula dividiendo los 50 horas-amperios entre la capacidad de carga. Si se usa una capacidad de carga de 40 amperios, divida 50 horas-amperios entre 40 amperios y obtiene el resultado de 1.25 horas, o una hora con 15 minutos. Durante el ciclo de carga, la carga de 40 amperios no permanece constante, sino que conforme se carga el acumulador, baja la carga a aproximadamente 15 amperios. Por estas razones, es necesario dejar que cargue aproximadamente un 25% de tiempo adicional. En el ejemplo actual, se aumentarían 20 minutos a la hora 15 minutos para un tiempo total de carga de 1 hora con 35 minutos.

## GARANTIA

SCHUMACHER ELECTRIC CORPORATION, 801 BUSINESS CENTER DRIVE, MOUNT PROSPECT, IL 60056-2179, OTORGA ESTA GARANTIA LIMITADA AL COMPRADOR MINORISTA ORIGINAL DE ESTE PRODUCTO. ESTA GARANTIA LIMITADA NO ES TRANSFERIBLE.

Schumacher Electric Corporation garantiza este cargador de batería por tres años a partir de la compra minorista por material o mano de obra defectuosos. La unidad será reparada o reemplazada a la opción del fabricante de ocurrir lo anterior. Es obligación del comprador enviar la unidad con prueba de compra, con los cargos de transporte y/o franqueo postal pagos al fabricante o a su representante autorizado.

La garantía limitada es nula si el producto se ha usado mal, ha sido sujeto a un manejo descuidado o ha sido reparado por alguna persona distinta al fabricante o su representante autorizado.

El fabricante no efectúa ninguna representación distinta a esta garantía limitada y expresamente excluye cualquier garantía implícita incluyendo cualquier garantía por daños consecuentes.

ESTA ES LA UNICA GARANTIA EXPRESA LIMITADA Y EL FABRICANTE NO ASUME NI AUTORIZA A NADIE A ASUMIR CUALQUIER OTRA OBLIGACION CON RESPECTO AL PRODUCTO DISTINTA A ESTA GARANTIA EXPRESA LIMITADA. EL FABRICANTE NO OTORGA NINGUNA GARANTIA DE COMERCIALIZACION O ADAPTABILIDAD DE ESTE PRODUCTO Y EXCLUYE EXPRESAMENTE AQUELLAS DE ESTA GARANTIA LIMITADA.

ALGUNOS ESTADOS NO PERMITEN LA EXCLUSION O LIMITACION DE DAÑOS INCIDENTALES O CONSECUENTES O LA DURACION DE LA GARANTIA IMPLICITA DE MANERA QUE LAS LIMITACIONES O EXCLUSIONES EXPUESTAS ARRIBA PUEDEN NO APLICARSE A USTED.

ESTA GARANTIA LE OTORGA DERECHOS LEGALES ESPECIFICOS Y USTED PUEDE TENER TAMBIEN OTROS DERECHOS QUE VARIAN DE ESTADO A ESTADO.